

Hystar HP 2/3 - arm Pullers with integrated pump and cylinder

Features

Compact, ergonomic design, easily operated by one person

- Multifunctional

These HP-pullers are ideal for pulling a wide variety of parts, including bearings, bushings, wheels, gears and pulleys.

- Compact

The self contained hydraulic pump and cylinder save space, as you dont need a seperate pump, hose or puller.

- Strong

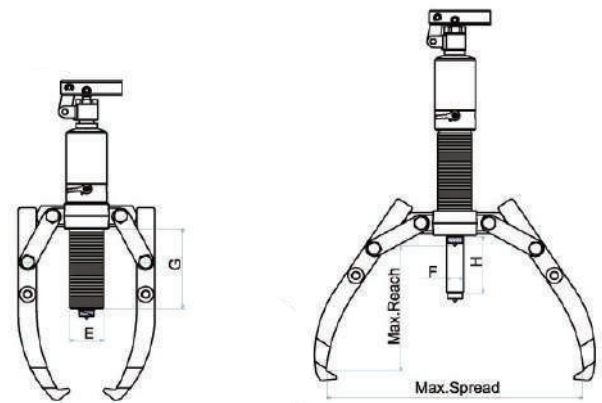
The harder the force, the tighter the jaws grip. The arms cannot bend or deflect.

- Economical

2/3-arm combination puller, 2 pullers for the price of one, including integrated pump and cylinder.

- Safe

The integral safety release valve prevents overloading and ensures that you will never exceed the maximum power capacity.



Type	Cap. ton	Reach(mm)	Spread (mm)	Stroke (mm)	Wt. (kg)
HP5	5	140	200	50	5.5
HP10	10	160	250	50	8.0
HP15	15	180	300	75	18
HP20	20	200	350	75	22
HP30	30	250	400	75	32
HP50	50	350	500	75	44